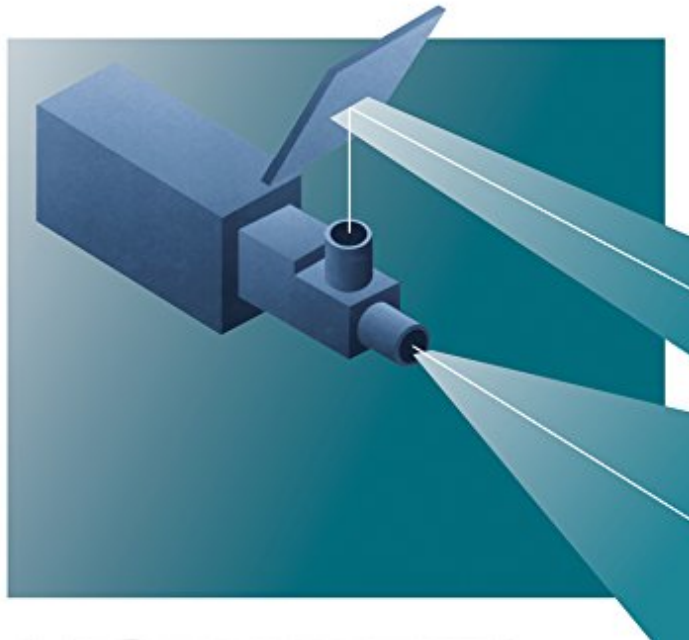


CCTV Surveillance: Video Practices and Technology

Author Unknown

*ePub | *DOC | audiobook | ebooks | Download PDF*



#893765 in eBooks 2013-10-22 2013-10-22 File Name: B01E3IIOWU | File size: 36.Mb

Author Unknown : CCTV Surveillance: Video Practices and Technology before purchasing it in order to gage whether or not it would be worth my time, and all praised CCTV Surveillance: Video Practices and Technology:

0 of 0 people found the following review helpful. Look at published date for technical books!By A ReaderI did not look at the published date. Last time I will make that mistake. Published in 1995, so obsolete to be useless unless you are interested in history. Will throw away.1 of 1 people found the following review helpful. very goodBy Salvador CoveloThis book covers everything from A-Z, very good book, highly recommend it, very useful and well edited. I would recommend this book0 of 0 people found the following review helpful. This book is widely outdated and is poorly set up ...By Philip DiChiaraThis book is widely outdated and is poorly set up in terms of the chapters. Be prepared to fall asleep.

A complete reference on CCTV technology Gives practical advice on the proper uses of CCTV to best protect againstcrime Contains more than 100 photos of the most modern equipment available.

"This is an outstanding book and has the potential to elevate the standards of installation and usage of CCTV in City centres, industrial complexes, hotels, offices, vehicle parking areas.'Professional Security Journal'It has claims to be THE definitive reference work on the subject."...a reference book that should appeal to everyone involved in the industry not just cctv installers and dealers.' Security Installer

From the PublisherThe past decade has seen closed circuit television (CCTV) technology emerge as a distinct entity within the large and developing security industry. Its successful implementation requires understanding of many technical disciplines, all of which are detailed in this book. From scene illumination, to signal transmission, to display and recording technology, CCTV Surveillance is the only book available which teaches all the aspects of CCTV. CCTV has become the crucial ingredient in the overall security system. Just as the proverb 'a picture is worth a thousand words' applies in everyday life, so too does the CCTV picture provide the essential ingredient to the successful security system. CCTV Surveillance is written in a format useful to the student interested in security, the system designer, consultant, architect and engineer, as well as the end user-management or the security director. Each chapter begins with an overview of the subject for the manager and security director, and proceeds with the theory, design and hardware information essential for successful implementation. All chapters are well illustrated - diagrams, tables, photographs to provide complete information for all reader categories. A comprehensive glossary defines terms generic to CCTV and electro-optics and aids to understand the subject.

About the AuthorHerman Kruegle is a consultant to Avida Inc., a manufacturer of rapid deployment video systems for personnel protection. He was formerly the president of Visual Methods, Inc., an electro-optics firm engaged in the manufacture of CCTV security and electro-optical, low vision, and inspection products. Mr. Kruegle holds six patents in the security, electro-optical, and laser fields. He has published numerous papers in professional electro-optics and security journals, including a lens primer series on CCTV optics and lenses and a series on covert CCTV security. Mr. Kruegle has been a contributing author for three texts focusing on CCTV security as applied to loss prevention in industry, museums, libraries, and cargo.